



Size BxH 400x400...1800x1800

KAT-A 2452-C

Product characteristics and benefits

- Four side sealing
- Leak-tightness: max. 1% of the permissible leak rate (on-seat and off-seat pressure) according to DIN 19569 Part 4; corresponds to EN 12266-2 Leak Rate G
- Compact valve with self-contained frame design for wall mounting with anchors
- Non-rising stem and integrated stem bearing
- Rotatable stem nut
- Patented VAG sliding wedge system between gate and frame
- Vibration-free guiding of the gate over the entire travel; can be used in intermediate positions as control valve
- Improved leak-tightness by interlocking system between gate and top traverse (sizes 700x700...1800x1800)
- Integrated and chambered profiled seal
- Seal between valve and wall mounted to the valve and ready for operation
- Square opening for wall mounting with anchors

Materials

- Frame: Stainless steel A2
- Knife: Stainless steel A2
- Stem: Stainless steel 1.4057
- Seals: Wastewater and UV-resistant EPDM
- Stem nut: Zinc-free bronze (wastewater resistant)

Corrosion protection

- All stainless steel parts: Dip pickled and passivated

Versions

- Standard version as described
- With electric actuator
- With handwheel
- With pneumatic actuator
- Other pressure ratings available on request
- Stem thread outside the medium, open frame design
- For flange connections with additional flange adapter
- Frame and knife: Stainless steel A4
- Size 1300-1800 mm on request
- Other dimensions on request
- Higher tightness request on request

Field of application

- Chamber installation
- Basin installation
- Wastewater systems



Tests and approvals

- Factory test report acc. to DIN EN 10204, 2.1 with indication of leakage rate

Accessories

- Wide range of VAG REMO remote control systems

Note

Flexible modular system with the VAG REMO remote control system

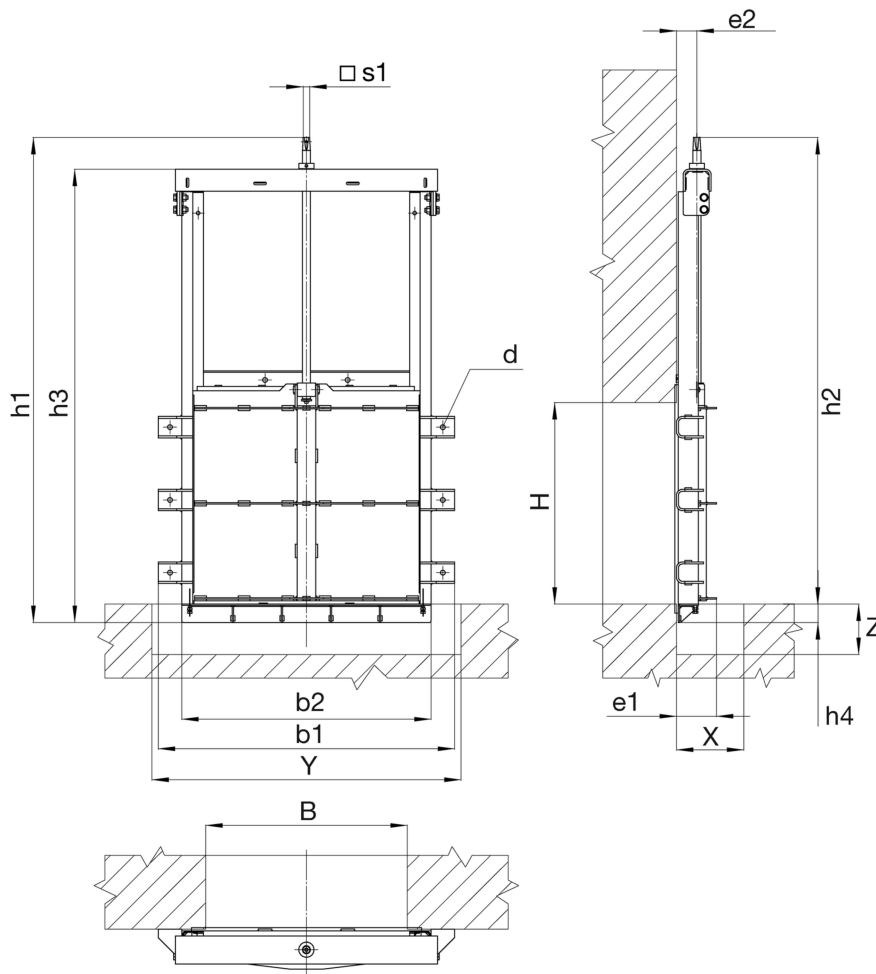
For proper installation and safe operation please follow the installation and operation instructions:
KAT-B 2452

Field of application

Size [mm]	Maximum operating pressure limits on both sides [m WC]	Maximum operating temperature for neutral liquids [°C]
400x400...800x800	8	50
900x900...1800x1800	6	50



Drawing



Technical data

Size BxH	[mm]	400x400	500x500	600x600	700x700	800x800	900x900	1000x1000	1200x1200	1800x1800
mWc		8	8	8	8	8	6	6	6	6
X (min)		200	200	200	600	600	600	600	600	600
Y (min)		730	830	930	1050	1150	1250	1350	1550	1550
Z	[mm]	150	150	150	150	150	150	150	150	150
b1	[mm]	682	782	882	990	1090	1190	1290	1490	1490
b2	[mm]	542	642	742	854	954	1054	1154	1354	1354
e1	[mm]	121	121	121	143	158	158	168	173	173
e2	[mm]	61	61	61	66	66	66	66	66	66
h1	[mm]	1054	1249	1444	1682	1882	2082	2282	2682	2682
h2	[mm]	989	1184	1379	1613	1813	2013	2213	2613	2613
h3	[mm]	959	1154	1349	1592	1792	1992	2192	2592	2592
h4	[mm]	65	65	65	69	69	69	69	69	69
□ s1	[mm]	19.3	19.3	19.3	27.3	27.3	27.3	27.3	27.3	27.3
Holes (d)		14,5	14,5	14,5	14,5	14,5	14,5	14,5	14,5	14,5
Turns/stroke		80.4	100.4	120.4	117.1	133.8	150.5	167.1	200.5	200.5
Weight approx.	[kg]	41.60	55.00	66.80	114.60	136.50	161.50	177.00	229.50	229.50
Volume approx.	[m ³]	0.087	0.118	0.154	0.238	0.324	0.391	0.495	0.691	0.691